

Features

- Stationary spout.
- 10-1/4" (260 mm) spout reach from wall to center of drain.
- 1.2 gpm (4.5 lpm) maximum flow rate at 60 psi (4.14 bar).
- Drain sold separately.
- Coordinates with other products in the Components collection.

Material

- Brass.
- KOHLER finishes resist corrosion and tarnishing.

Required Products/Accessories

K-77980-4 Wall-mount bathroom sink faucet handle

or

K-77980-4A Wall-mount bathroom sink faucet handle

or

K-T77981-4 Wall-mount bathroom sink faucet lever handle trim

or

K-T77981-8 Wall-mount bathroom sink faucet handle trim

or

K-T77981-9 Wall-mount bathroom sink faucet handle trim

Recommended Products/Accessories

K-23726 Drain treatment

K-23723 Faucet cleaner

Optional Products/Accessories

K-7107 Decorative Drain

K-7108 Decorative Drain

K-7114 Pop-Up Drain

K-7124 Pop-Up Clicker Drain

K-7127 Drain

K-7129 Drain



ADA **CSA B651** **OBC**

Codes/Standards

ASME A112.18.1/CSA B125.1

NSF/ANSI 61

NSF/ANSI 372

All applicable US Federal and State material regulations

DOE - Energy Policy Act 1992

EPA WaterSense®

California Energy Commission (CEC)

ADA

ICC/ANSI A117.1

CSA B651





OBC

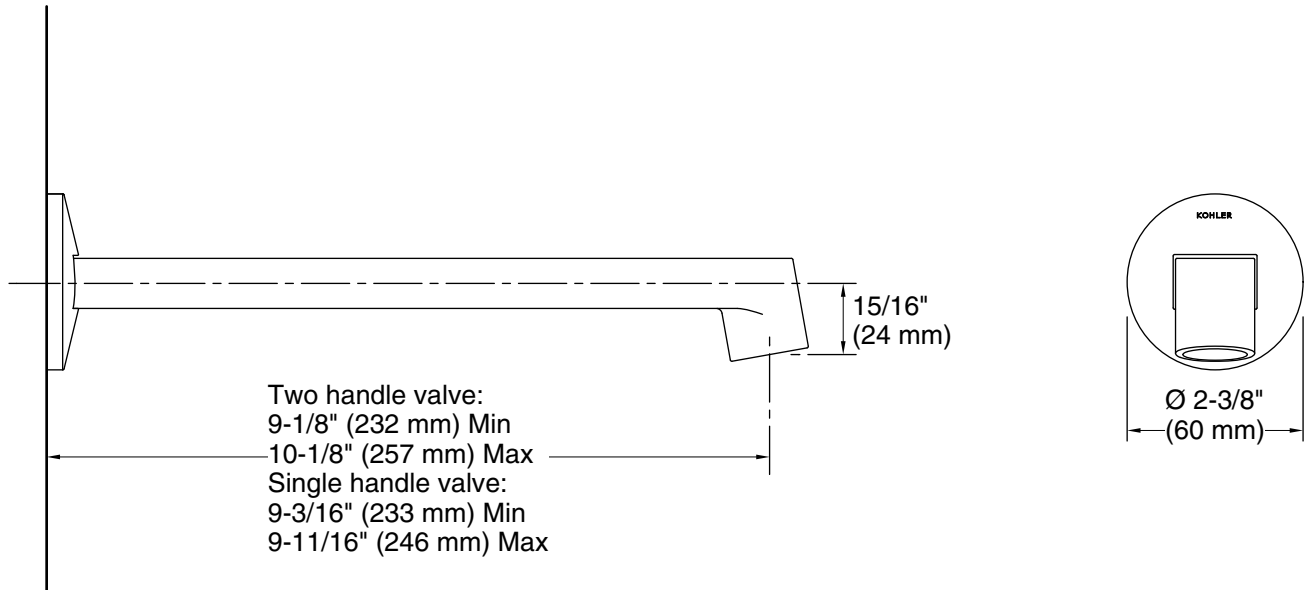
KOHLER® Faucet Lifetime Limited Warranty

See website for detailed warranty information.

Available Colors/Finishes

Color tiles intended for reference only.

Color	Code	Description
	CP	Polished Chrome
	BN	Vibrant® Brushed Nickel
	BL	Matte Black
	2MB	Vibrant® Brushed Moderne Brass



Technical Information

All product dimensions are nominal.

Faucet:

Flow rate: 1.2 gal/min (4.5 l/min)

Pressure: 60 psi (4.1 bar)

Drain included: No

Spout:

Spout reach: 10-1/4" (260 mm)

Notes

ADA, OBC, CSA B651 compliant when installed to the specific requirements of these regulations.